

User manual free

viveroo **usa**

free

ViverooUSA
www.viveroousa.com



REV20170825

Safety information

! Warning

Please read the assembly instructions included carefully. Please read this free user manual completely before using your free. Please follow the instructions and recommendations to ensure proper use and maximum enjoyment.

Safety information

free and all free mounting sets are intended for use in enclosed and dry living spaces.

The following conditions must be provided:

- Operating temperature between 0° C (32° F) and 35° C (95° F).
- Relative humidity (during use): 20 % to 90 %, non-condensing.
- No external environmental influences such as oil, chemicals, salt, extensive dust, etc.

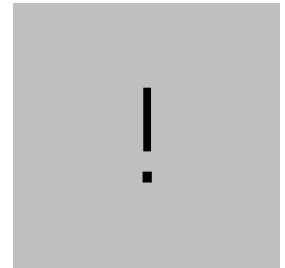
Installation, service or repairs, if necessary, may only be performed by authorized persons.

The maximum altitude is 2.000m.

The installer is responsible for selecting the proper mounting location and safe installation of free. This also applies to installation in movable parts, such as doors. The installer is responsible for performing and documenting all necessary safety tests.

All electrical installation work may only be conducted by authorized, trained electricians, always adhering to the general rules and regulations applying to electrical installation.

Should it become apparent that safe operation of free is not assured, then free must immediately be taken out of service and secured against potential misuse. If the free functions are limited, blocked or disabled, if an unusual odor is present, if noises such as scratching are audible or damage is visible, safe operation can no longer be guaranteed.



Technical Data

Product contents: - User manual free
- free
- Mounting plate
- screw set

Compatibility: Electrical operation of free is permitted only in connection with free MountingSet and power supply and cable included in the MountingSet. Operation of free without a MountingSet will lead to immediate loss of guarantee and warranty.

Measurements in millimeter Measurements design cover
free for ...

... iPad mini 4	230 x 133
... iPad Air, iPad Air 2, iPad Pro 9.7" and iPad (March 2017)	267 x 164
... iPad Pro 10.5 inch	278 x 173
... iPad Pro 12,9"	332 x 214

Depth free 15

Size of opening (for furniture installation) Round hole, 50mm to put the connector through.

Size of opening (for flush-mounted box) elongated hole 68x139

Installation depth (for furniture) 30

Installation depth (for flush-mounted box) 75

Weight in gram free for ...

... iPad mini 4	876
... iPad Air, iPad Air 2, iPad Pro 9.7" and iPad (March 2017)	924
... iPad Pro 10.5	952
... iPad Pro 12,9"	1.010

Electrical connections Power supply 5,2 Vdc via Lightning connector
Data interface USB 3 connector

CE & Co. All free have CE certification. free is quality "Made in Germany". We use only high-quality parts and components produced by market leaders. free customers are proud of their iPad Garage.

Removal from power supply free may be removed from the power supply via the circuit breaker in the respective rooms.



Functions

Remove and insert iPad

free can be either installed vertically or horizontally (see installation guide).

free in landscape position: Put the iPad from the left on the guide rail. Slide it to the right to the Lightning connector. Push it until you hear a **click tone** that indicates the safe hold of the iPad.

free in portrait position: Put the iPad from the upper left on the vertical guide rail. Slide it to the bottom to the Lightning connector. Push it until you hear a **click tone** that indicates the safe hold of the iPad.

All surfaces and edges are fitted with felt or slip tapes to protect your iPad from scratches and damage.



LockingSystem

free offers an optional security locking system to protect your iPad from theft. Eine separate Bedienungsanleitung liegt den entsprechend ausgerüsteten Geräten bei. The locking system can be retrofitted any time, please see:



LockingSystem security
Article 350100

Anti-theft system for the iPad, opening with key.

Care and Cleansing

Cleanse your free as needed with a soft micro fiber cloth and clear water only. Dampen the micro fiber cloth and wipe the surfaces gently.

! WARNING: The interior of the free must remain dry. To ensure this, use only a damp cloth for cleansing.

! WARNING: Never scratch, scrape or scrub free surfaces with abrasive materials.

Installation

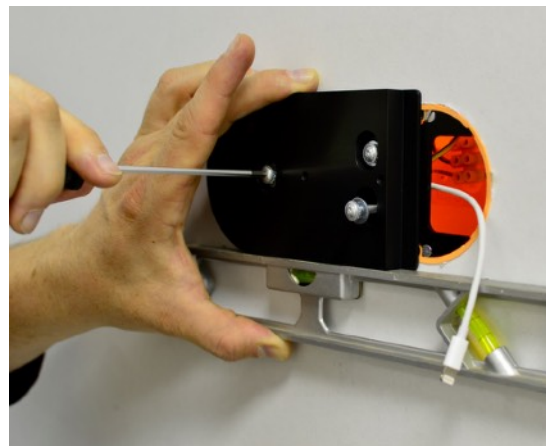
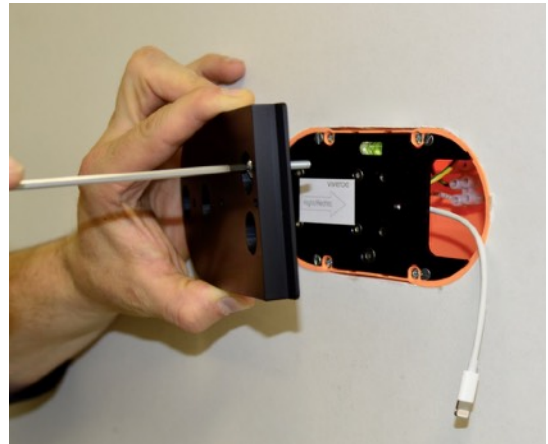
Use the corresponding MountingSet to install your free. All MountingSets come with specific mounting instructions.

Step 1 free can be either installed vertically or horizontally (see installation guide).

! Important: This installation guide shows the installation process for Inwall mounting with flush-mount box (MountingSet Inwall). Here free is installed in landscape position.

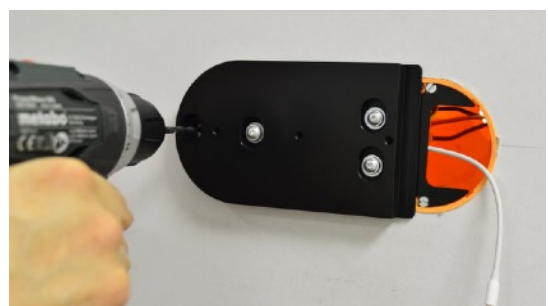
Fix and secure the mounting plate using the supplied screws (2.5mm hex). Tighten the screws lightly at first. Then you can adjust it to its final position using a level. Now tighten the screws.

! Important: If you use MountingSet Furniture you can attach the mounting plate directly. Please use woodscrews.



Step 2 **! Optional:** The mounting plate provides an additional mounting hole on the left side. It is located outside the box directly on the wall and gives free additional stability if necessary.

Depending on the type of wall, please select the appropriate fasteners (plugs + screw, wood screw, etc.).



Installation

- Step 3** Connect the Lightning connector from the flush-mount box to the corresponding contact on the free. The guide shows the upgrade option to connect LAN/Ethernet to the USB 3 socket, please see:

LAN/Ethernet extension module, Article 350201

Supplementary set for cable bound connection to home network. Please note that this set is a factory installed hardware.



- Step 4** Fasten the free to the mounting plate using the supplied screws (2.5mm hex).



- Step 5** Cover the screws with the felt-buttons.



Warranty



Warranty

free comes with a two year warranty from date of purchase by the original end customer, unless the device was repaired or replaced during the warranty period. In this case, the warranty is valid until the end of the regular two year warranty or six months following the repair/replacement, whichever comes first.

Warranty claims and verification

Should your free for any reason not perform as expected, please contact your dealer and provide the original invoice with serial number as well as a brief description of your complaint.

Warranty claims and verification

The following devices are excluded from the warranty
Devices with damages caused by:

- acts of nature,
 - misuse, including but not limited to disregarding the user manual and mounting instructions,
 - inappropriate handling,
 - connection to an incorrect power supply,
 - repairs or attempted repairs by unauthorized persons,
 - use of the device in connection with third party products,
- devices on which the serial number of the producer has been changed, deleted, removed or made illegible.

Apple, iPad and Lightning are registered trademarks of Apple Inc.



Montage- und Bedienungsanleitung

VerriegelungsSystem security.

Steckschlüssel-Verriegelung zum Schutz des iPads vor Diebstahl. Für viveroo free.

viveroo USA

- Lieferumfang**
- Verriegelungsplatte zur Befestigung am free inkl. Befestigungsschrauben
 - Abnehmbare Verriegelungsschiene
 - Schlüssellochsperrer inkl. zwei Schlüssel
 - Montage- und Bedienungsanleitung

Diese Anleitung beschreibt die Montage des Verriegelungssystems security für das viveroo free. security ist entweder bereits ab Werk installiert oder nachträglich bei jedem free nachrüstbar. Bei bereits vorinstalliertem Verriegelungssystem fahren Sie bitte mit Schritt 3 fort.



- Schritt 1** Demontieren Sie das free (vgl. hierzu die Produkthanleitung free, Kapitel Montage, Schritt 4).



- Schritt 2** Befestigen Sie die Verriegelungsplatte mittels der beigefügten Schrauben auf der Rückseite des free (2mm Innensechskant).

Montieren Sie das free anschließend wieder am ursprünglichen Platz.



Montage- und Bedienungsanleitung

VerriegelungsSystem security.

Steckschlüssel-Verriegelung zum Schutz des iPads vor Diebstahl. Für viveroo free.

viveroo  usa

- Schritt 3** Setzen Sie das iPad ins free ein. Stecken Sie anschließend die Verriegelungsschiene von links auf die Verriegelungsplatte. Das Schlüsseloch zeigt nach unten.



- Schritt 4** Stecken Sie den Schlüsselochsperrer und den Schlüssel in die Verriegelungsschiene von unten ein. Drehen Sie den Schlüssel nach links und ziehen Sie ihn heraus. Nun ist das free sicher verschlossen und das iPad vor Diebstahl geschützt. Zum Entsperren des free stecken Sie den Schlüssel ein und drehen ihn nach rechts. Nun können Sie den Schlüssel samt Schlüsselochsperrer nach unten herausziehen und die Verriegelungsschiene seitlich abziehen.



! Hinweis: Bewahren Sie die Schlüssel gut auf und kennzeichnen Sie diese z.B. mit einem Schlüsselanhänger. Ohne Schlüssel lässt sich die Verriegelung nur mit Gewalt und Beschädigung öffnen!



Installation and operation guide

viveroo **usa**

LAN/Ethernet connection

Supplementary set for cable bound connection to home network. For viveroo free.

Safety warning

Electrical current!

Danger of electrical shock leading to death and fire hazard.

- Work on 230V may only be performed by qualified electricians.
- Disconnect power supply prior to installation/de-installation

Includes

- USB Ethernet adapter
- CAT-Crimp Connector (RJ45 Male)
- Installation and operation guide

This guide pertains to installation of LAN/Ethernet supplementary set for viveroo free. Supplementary set can be installed provided the LAN/ Ethernet interface is available.



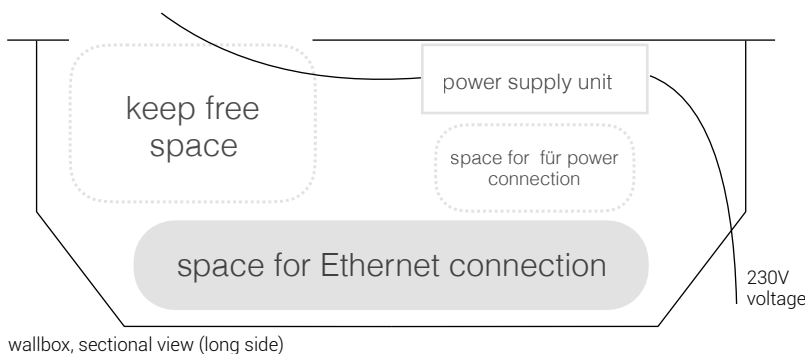
Installation

Connect the USB Ethernet adapter to the USB socket on the back of free. Place CAT-Crimp Connector (RJ45 Male) on CAT cable. Please see installation guide included.

Connect CAT cable, including the RJ45 Male plug to USB Ethernet adapter.

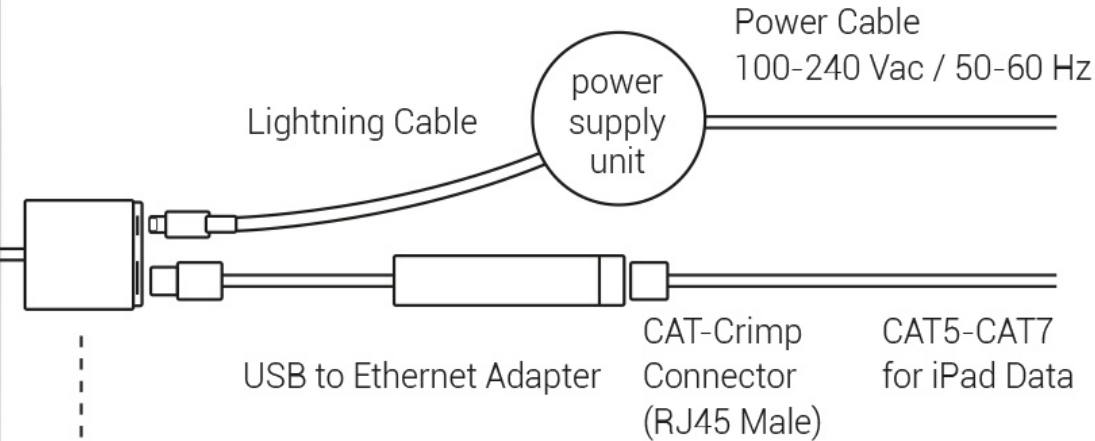
! Note: Lay CAT cable as follows:

1. **For installation in furniture and wood panel walls:** Lay cable from back through drill hole.
2. **For installation in cavity walls, brick or concrete walls (with cavity socket):** Position CAT cable including USB Ethernet adapter at back of cavity socket.





viveroo free
Cable interfaces on backside



installationsbox